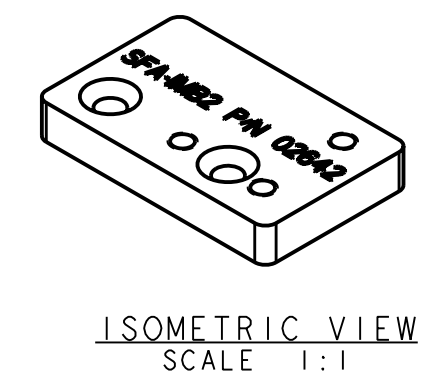
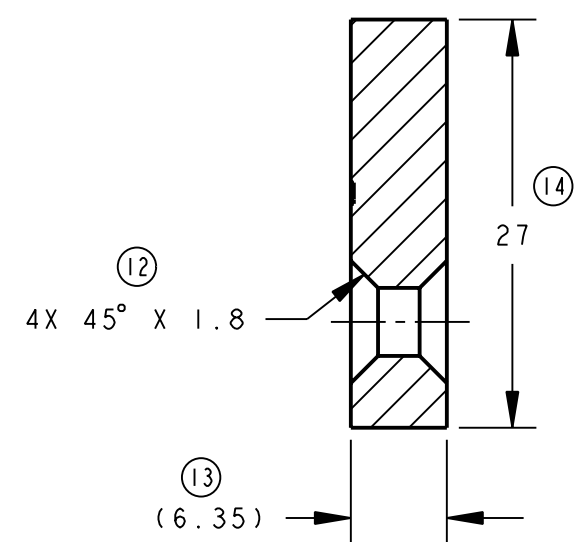
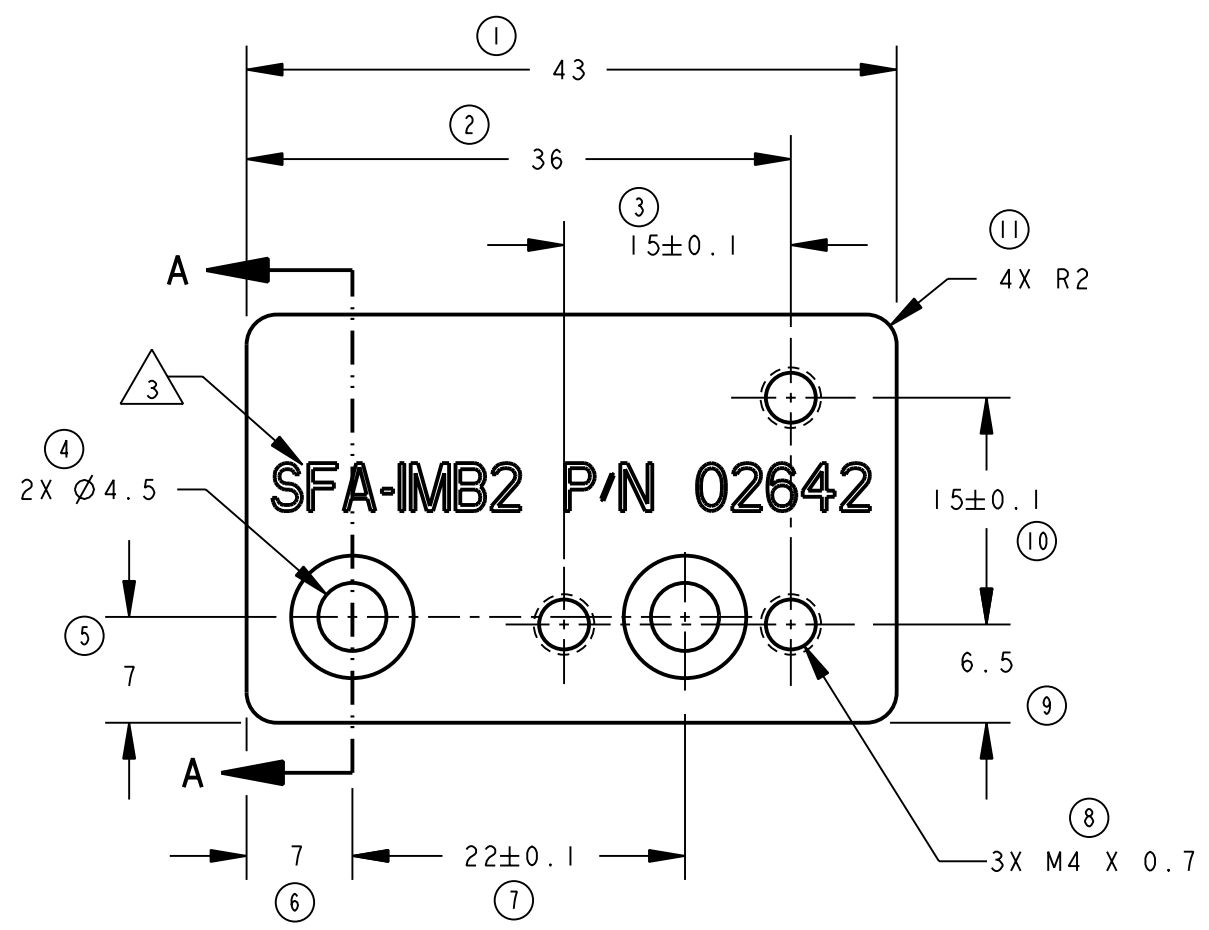



RMB85	SA-K50A18	SFA-IMB1	SFA-IMB2
<p>All measurements in mm</p>	<p>All measurements in mm</p>	<p>All measurements in mm</p>	<p>All measurements in mm</p>
<p>Hole center spacing: A, B, A to B = 77, E = 46 Hole size: A, B = \varnothing 0.5, C = \varnothing 4.8, D = \varnothing 4.5, E = 19 x 4.5</p>	<p>Hole size: A = \varnothing 30.5, B = \varnothing 20</p>	<p>Hole center spacing: A, B = 78, A to B = 10 Hole size: A = \varnothing 4.5, B = 8 x 4.5</p>	<p>Hole center spacing: A = 22 Hole size: A = \varnothing 4.5</p>
<ul style="list-style-type: none"> • Protective mounting bracket for retroreflective targets • 14-ga. 316 stainless steel • Stainless steel M3 x 0.5 hardware included 	<ul style="list-style-type: none"> • Protective mounting bracket for EZ-LIGHT K50 sensors • 12-ga. cold-rolled steel 	<ul style="list-style-type: none"> • Retrofit bracket for replacing SI-MAG1 Magnetic Interlock switches with PICO-GUARD switches • Black reinforced thermoplastic polyester • Multiple brackets can be used as spacers for ferrous material standoff for SI-MAG.. 	<ul style="list-style-type: none"> • Retrofit bracket for replacing SI-MAG2 Magnetic Interlock switches with PICO-GUARD switches • Black reinforced thermoplastic polyester • Multiple brackets can be used as spacers for ferrous material standoff for SI-MAG..
Round Targets	Base Mount	Flat Mount	Flat Mount
<p>Used with</p>	<p>Used with</p>	<p>Used with</p>	<p>Used with</p>
BRT-3	K50	PICO-GUARD Switches	PICO-GUARD Switches
Square Targets			
<p>Used with</p>			
BRT-77X77C			

- Accessories
- Brackets
- Cordsets
- Retroreflectors
- Miscellaneous
- Reference


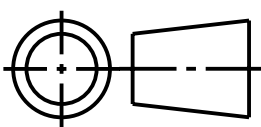
More on next page

REVISION HISTORY			
REV	DESCRIPTION	DATE	APPROVED



- NOTES:
- MATERIAL: BLACK DELRIN, 1/4" THICK STOCK
 - PART TO BE FREE OF BURRS, SHARP EDGES, SHAVINGS, GREASE, OIL, VENDOR MARKINGS AND ALL OTHER CONTAMINATION.
-  METAL STAMP "SFA-IMB2 P/N 02642" APPROXIMATELY IN THIS LOCATION, WITH 1/8" LETTERS.

ALL SHEETS ARE THE SAME REVISION STATUS

DIMENSIONS ARE IN MILLIMETERS UNLESS OTHERWISE SPECIFIED TOLERANCE ON ANGLE $\pm 3^\circ$ X $\pm .5$.X $\pm .1$.XX $\pm .1$ INTERPRET DIM AND TOL PER ASME Y14.5M - 1994		This drawing is the property of BANNER ENGINEERING CORP. and is proprietary in general and in detail. Its contents shall not be revealed to outside parties without written consent of BANNER.		 BANNER ENGINEERING CORP. P.O. BOX 9414 MINNEAPOLIS, MN 55440	
THIRD ANGLE PROJECTION		DWN. B. LOWERY	DATE 6-14-02	TITLE BRACKET SFA-IMB2	
		ENG.	DATE	SIZE B	DWG NO 110096
			DATE	REV	
				SCALE 2:1	SHEET 1 OF 1